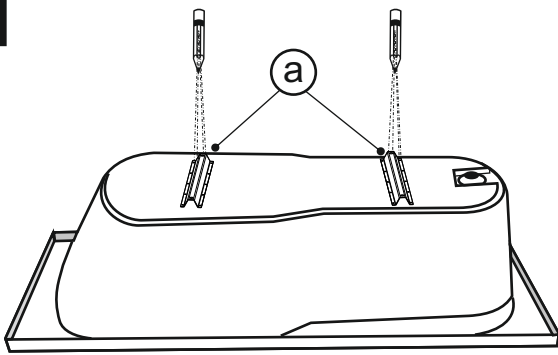
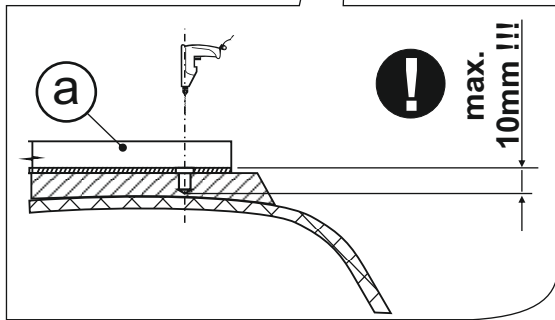
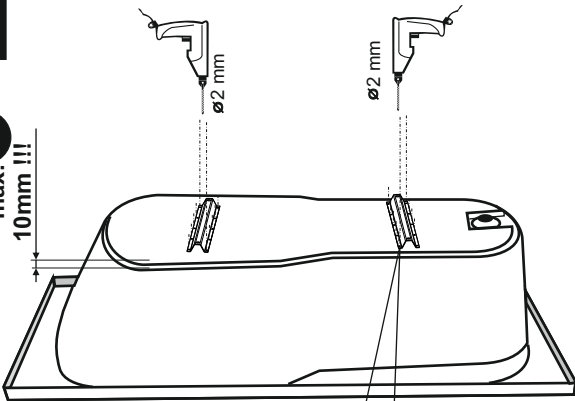
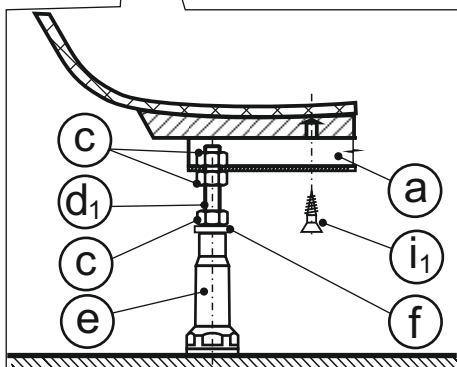
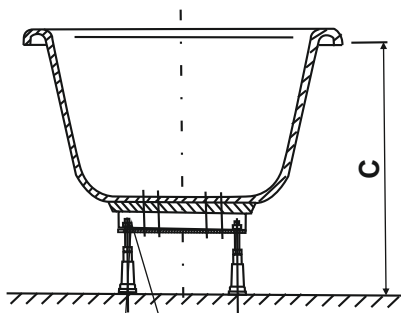





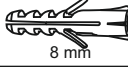


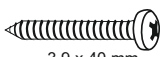
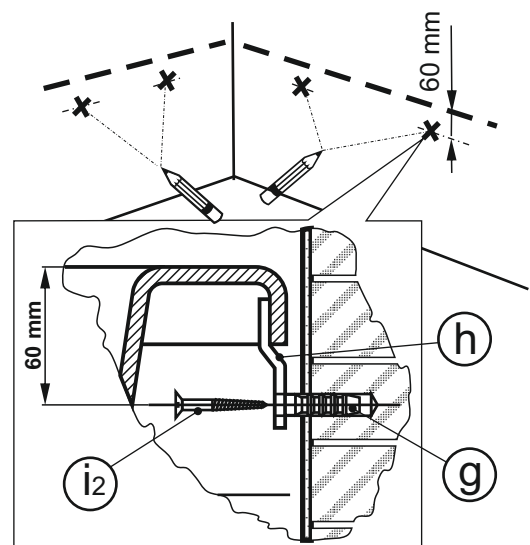
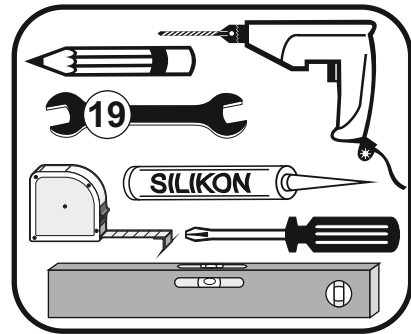
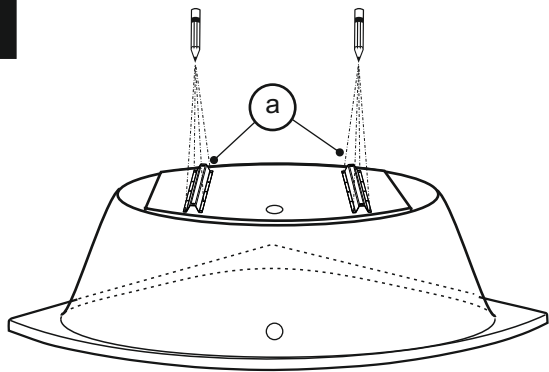


**1****2****!**  
max.  
10mm !!!**3**

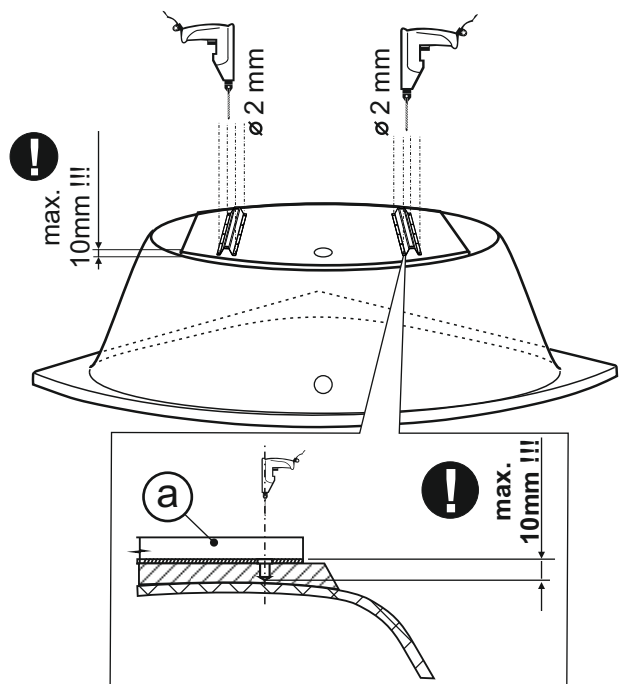
a	 450 mm	<b>2x</b>
c	 M12	<b>12x</b>
d <sub>1</sub>	 M12 x 130	<b>4x</b>
e	 M12 x 80	<b>4x</b>
f	 12 mm	<b>4x</b>
g	 8 mm	<b>4x</b>
h		<b>4x</b>
i <sub>1</sub>	 4,8 x 19	<b>10x</b>
i <sub>2</sub>	 3,9 x 40 mm	<b>4x</b>



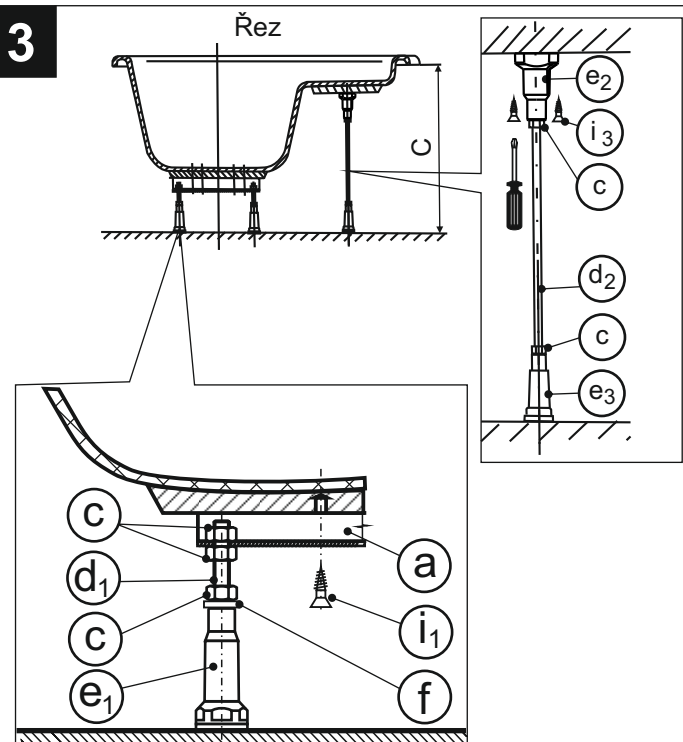
1



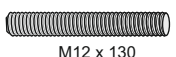





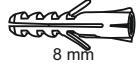

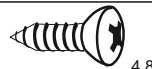
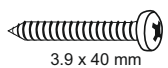



2



3



a	 450 mm	2x
c	 M12	14x
d <sub>1</sub>	 M12 x 130	4x
d <sub>2</sub>	 M12 x 320	1x
e <sub>1</sub>	 M12 x 80	4x
e <sub>2</sub>	 M12 x 65	1x
e <sub>3</sub>	 M12 x 100	1x
f	 12 mm	4x
g	 8 mm	2x
h		2x
i <sub>1</sub>	 4,8 x 19	10x
i <sub>2</sub>	 3,9 x 40 mm	2x
i <sub>3</sub>	 2,9 x 19	2x

