

REMER

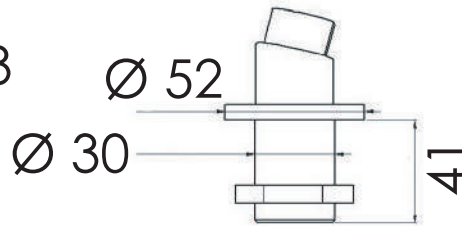
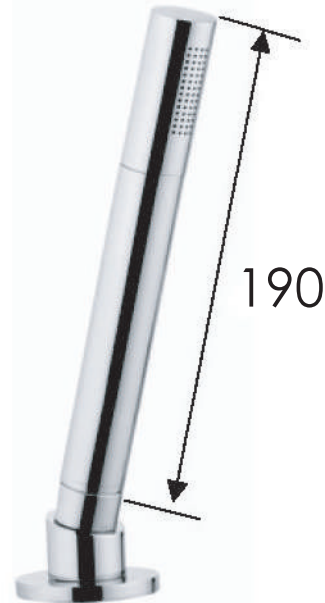
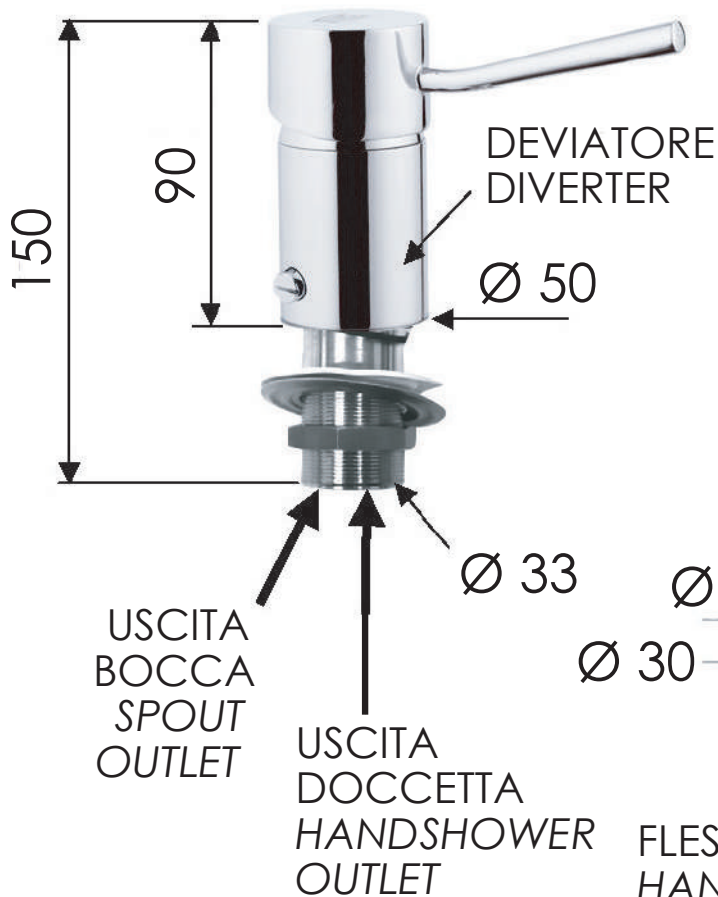
RUBINETTERIE

SCHEDA TECNICA

TECHNICAL FEATURES

ART. COD.

N27



FLESSIBILE DOCCETTA = 150 cm
HANDSHOWER FLEXIBLE = 150 cm

PRESSIONE/ PRESSURE	1	3	5	bar
PORTATA / FLOW RATE	8	12,5	16	l/min

MATERIALI / MATERIALS

OTTONE CROMATO / CHROME PLATED BRASS

CROMATURA / CHROME PLATING

UNI EN 248

Via Leonardo da Vinci 83 - 20062 Cassano d'Adda (MI) Italy - Tel. +39-0363 364211

info@remer.eu www.remer.eu