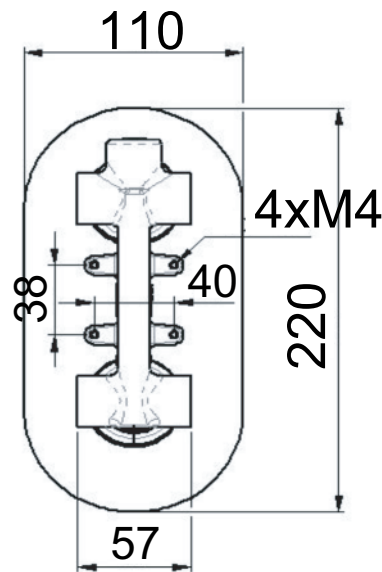
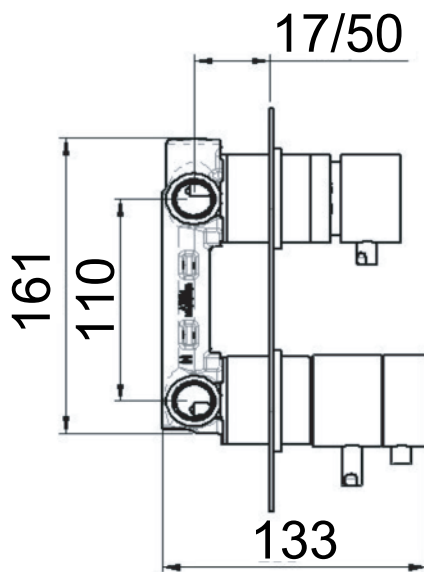
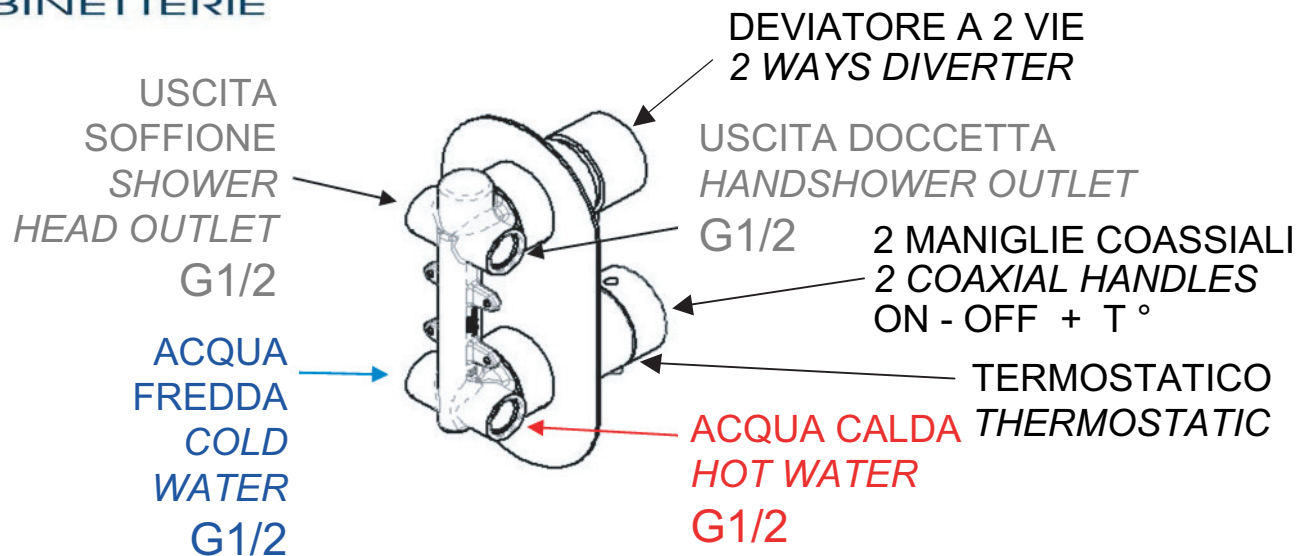


ART. COD.

NT 92



MATERIALI / MATERIALS

OTTONE CROMATO / CHROME PLATED BRASS
OTTONE / BRASS

CROMATURA / CHROME PLATING

UNI EN 248