

REMER

SCHEDA TECNICA

TECHNICAL FEATURES

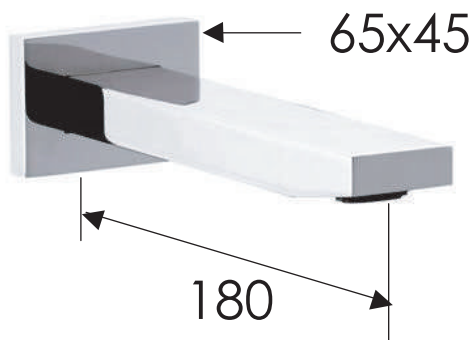
RUBINETTERIE

ART. COD.

QD15C

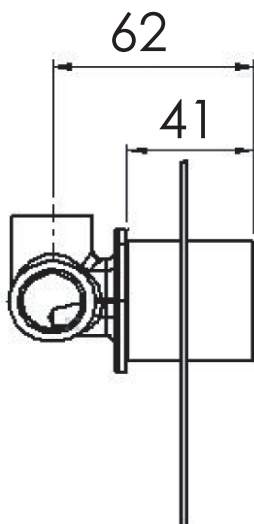


116



65x45

180



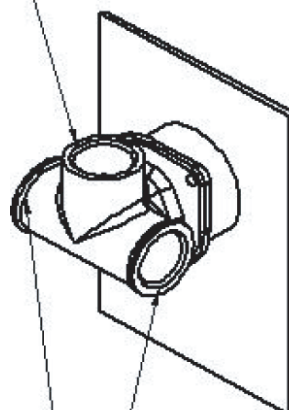
62

41

ENTRATA ACQUA FREDDA
COLD WATER INLET

G1/2

USCITA DOCCIA
SHOWER OUTLET
G1/2



ENTRATA ACQUA CALDA
HOT WATER INLET

G1/2

MATERIALI / MATERIALS

OTTONE CROMATO / CHROME PLATED BRASS

CROMATURA / CHROME PLATING

UNI EN 248

Via Leonardo da Vinci 83 - 20062 Cassano d'Adda (MI) Italy - Tel. +39-0363 364211

info@remer.eu

www.remer.eu