

REMER

RUBINETTERIE

SCHEDA TECNICA

TECHNICAL FEATURES

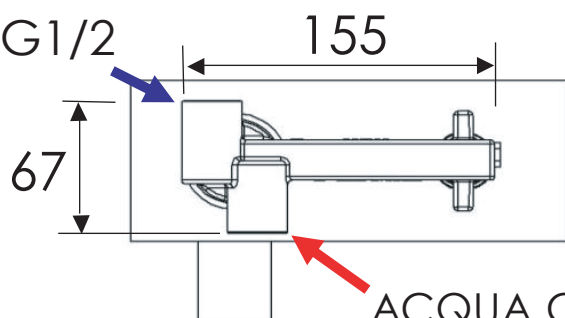
ART. COD.

QD15

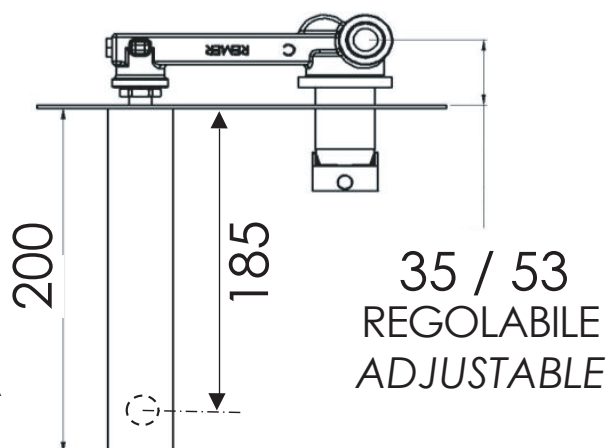


ACQUA FREDDA
COLD WATER

G1/2



ACQUA CALDA
HOT WATER
G1/2



MATERIALI / MATERIALS

OTTONE CROMATO / CHROME PLATED BRASS

CROMATURA / CHROME PLATING

UNI EN 248

Via Leonardo da Vinci 83 - 20062 Cassano d'Adda (MI) Italy - Tel. +39-0363 364211

info@remer.eu www.remer.eu