

REMER

RUBINETTERIE

SCHEDA TECNICA

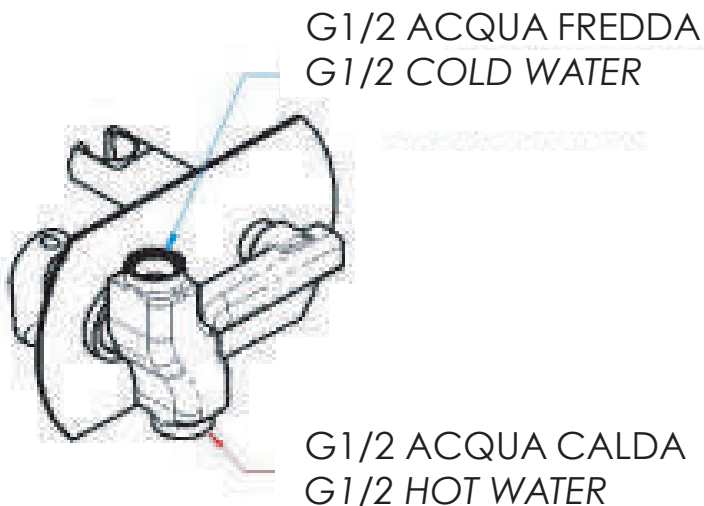
TECHNICAL FEATURES

ART. COD.

160

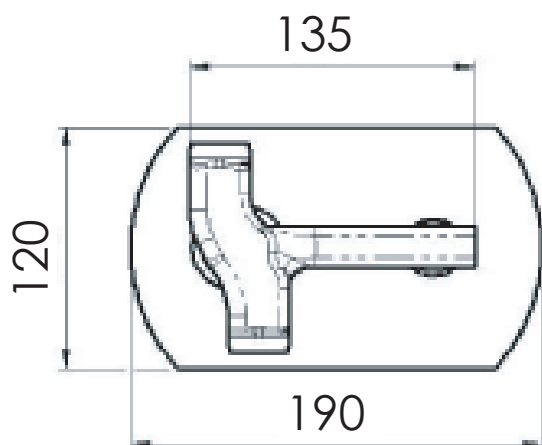


120 cm



G1/2 ACQUA FREDDA
G1/2 COLD WATER

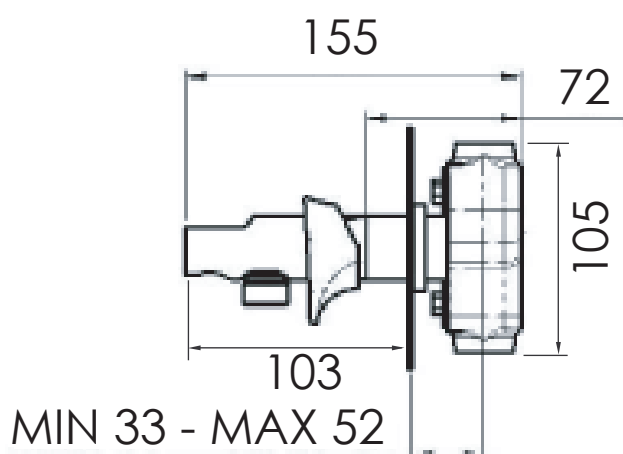
G1/2 ACQUA CALDA
G1/2 HOT WATER



135

120

190



155

72

105

103

MIN 33 - MAX 52

MATERIALI / MATERIALS

OTTONE CROMATO / CHROME PLATED BRASS

CROMATURA / CHROME PLATING

UNI EN 248

Via Leonardo da Vinci 83 - 20062 Cassano d'Adda (MI) Italy - Tel. +39-0363 364211

info@remer.eu

www.remer.eu